

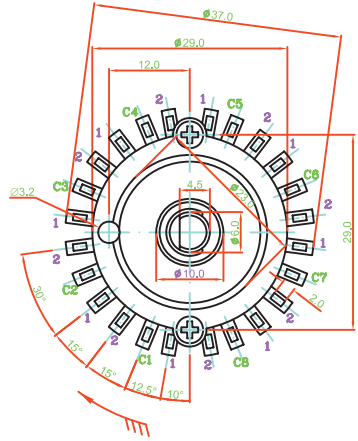
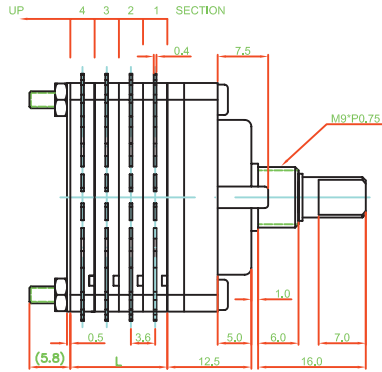


# RCL 371 SERIES

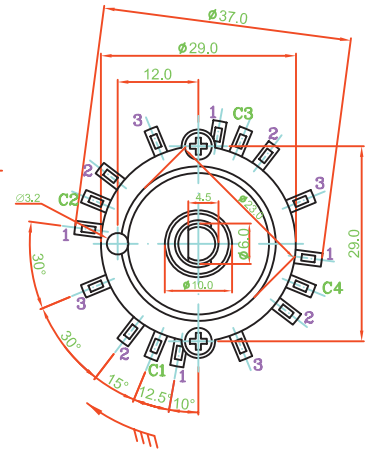
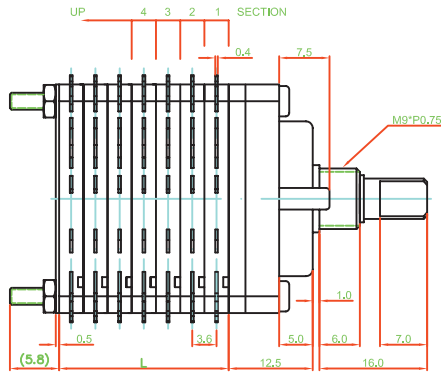
## ROTARY SWITCH

### ► DIMENSION

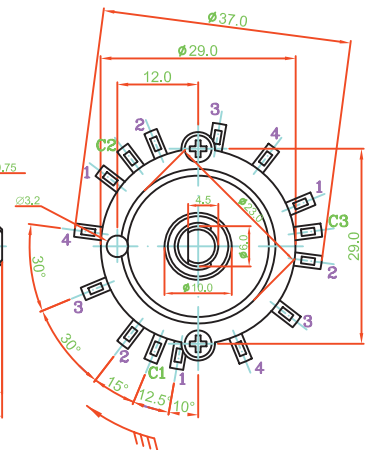
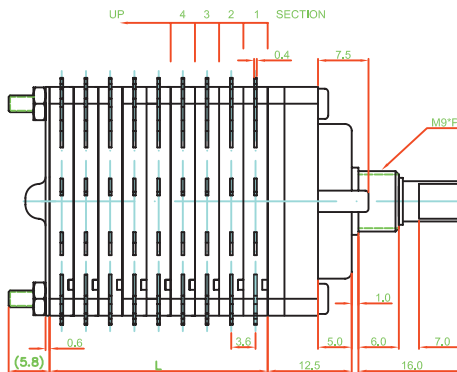
#### 2 Position Series



#### 3 Position Series

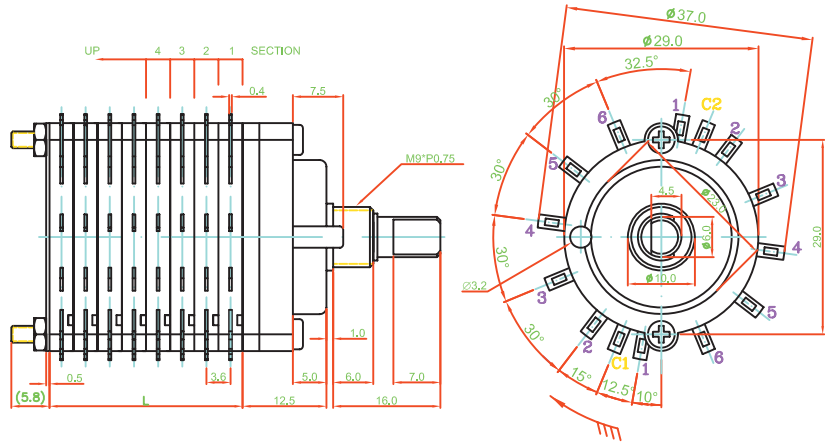


#### 4 Position Series

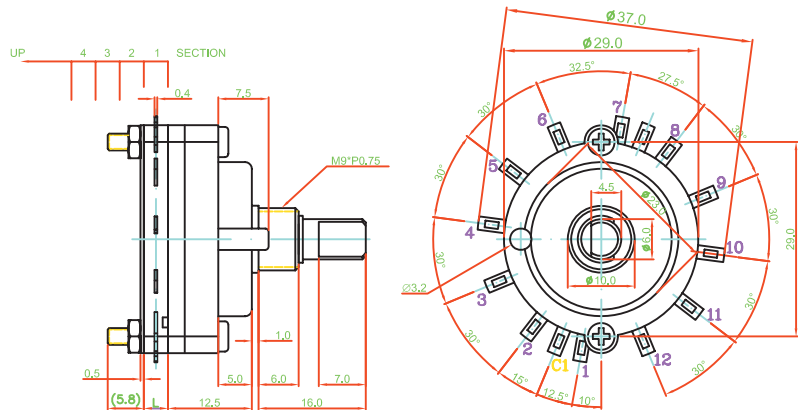


► DIMENSION

5~6 Position Series



7~12 Position Series



X Position Series

